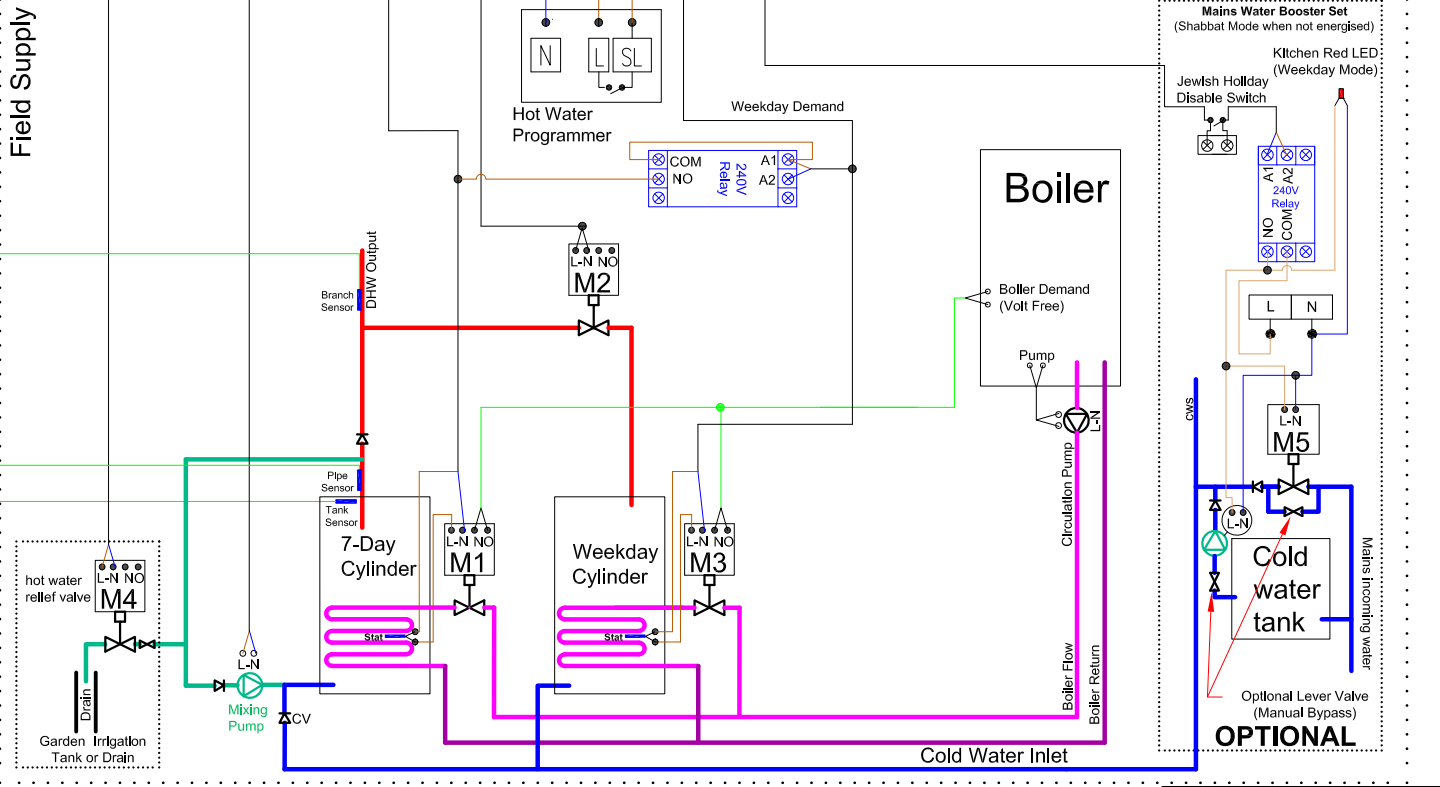
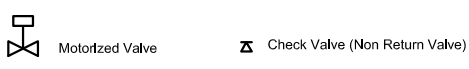


Field Supply



- M1 Normally Closed Valve (10Bar) WRAS ABVM08S/2+AR (Normally Closed).
- M2 Normally Open Valve (10Bar)
- M3 such as: WRAS ABVM08S/2+AR-NO (Normally Open).
- M4
- M5

for 200 Litre Tanks, we recommend Grundfos UPS3 (contact us for larger hot water tanks)



This Document and the setup and logic described in this document is an intellectual property of Shabbat Smart Ltd.

Shabbat Smart Ltd  
 85 Kentworth Road  
 London  
 HA8 8XA, UK  
 Tel: +44 20 8004 9558  
 Email: Info@ShabbatSmart.com  
 Web: www.ShabbatSmart.com

Name:	Shabbat Controller
Description:	Shabbat Hot Water 7-Day Two Cylinders
Ver:	v15
Scale:	NTS
Page:	A4
Date:	12/04/2022